


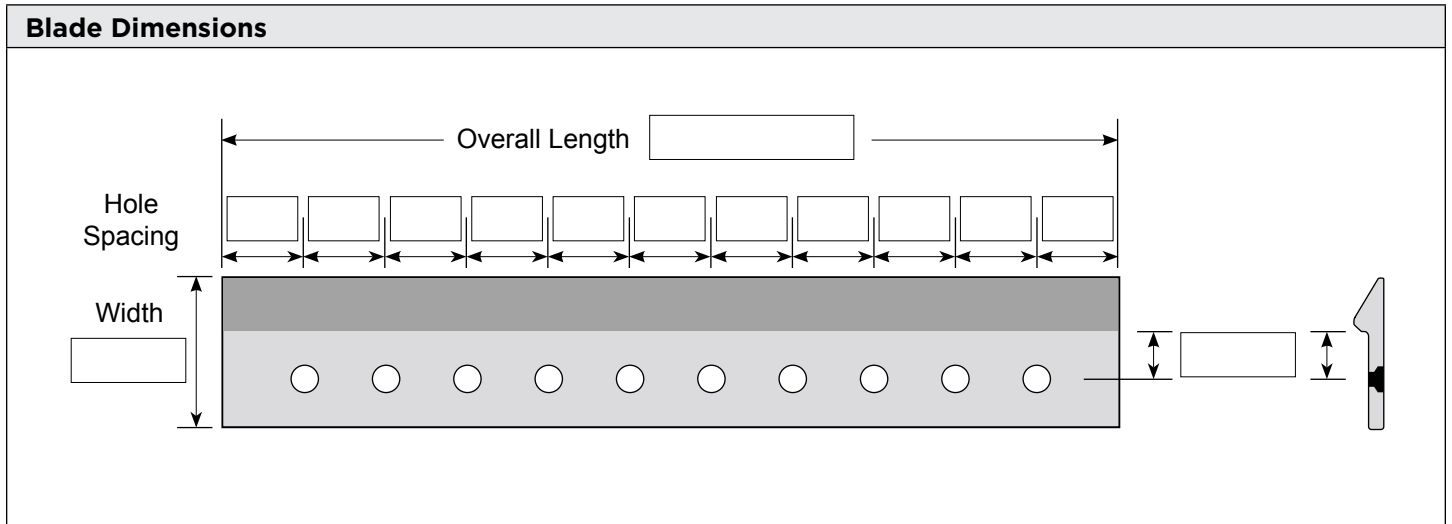




Date: _____
 Company: _____ Company Contact: _____
 Machine Make: _____ Model: _____
 BCWP Contact: _____ Part Number (if available): _____

Profile	Hole Type	Bolt Orientation (If Applicable)
1 1/8" x 2 1/4" x 10"	No Holes	 Opposite of Bevel
1 9/16" x 2 11/16" x 10"	Plow Bolt 	
	Round 	
Number of Bolt Holes: _____		Bolt Diameter: _____



Additional Information: